

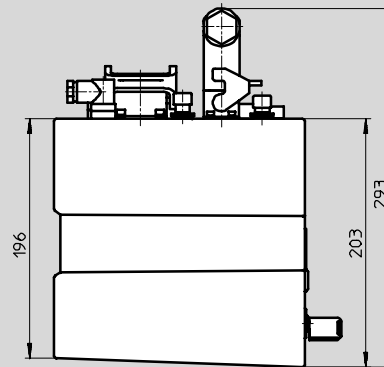
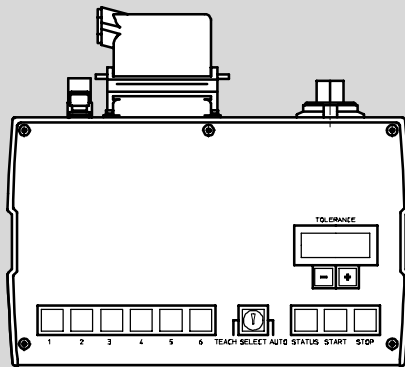
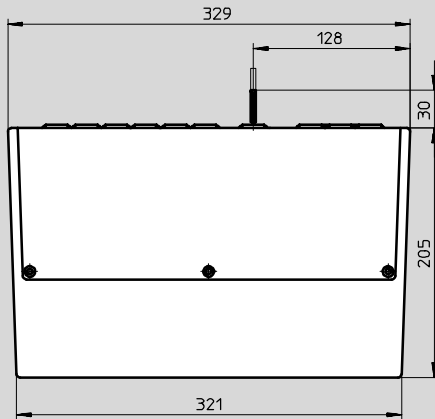
Checkbox CHB

Technical data

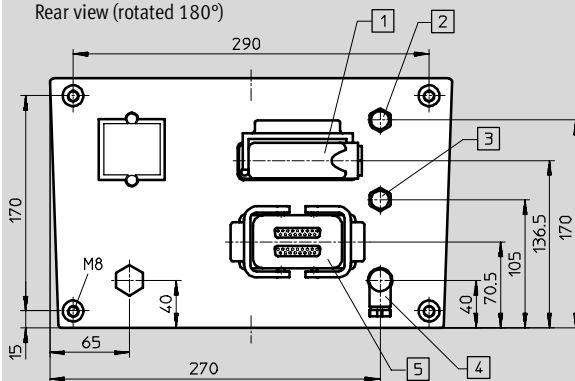
Dimensions

Download CAD data → www.festo.com/en/engineering

Control unit



Rear view (rotated 180°)



- 1 PLC coupling
- 2 RS 232 diagnostic interface
- 3 Small-parts conveyor control
- 4 Buffer zone sensors
- 5 Cable to conveying unit

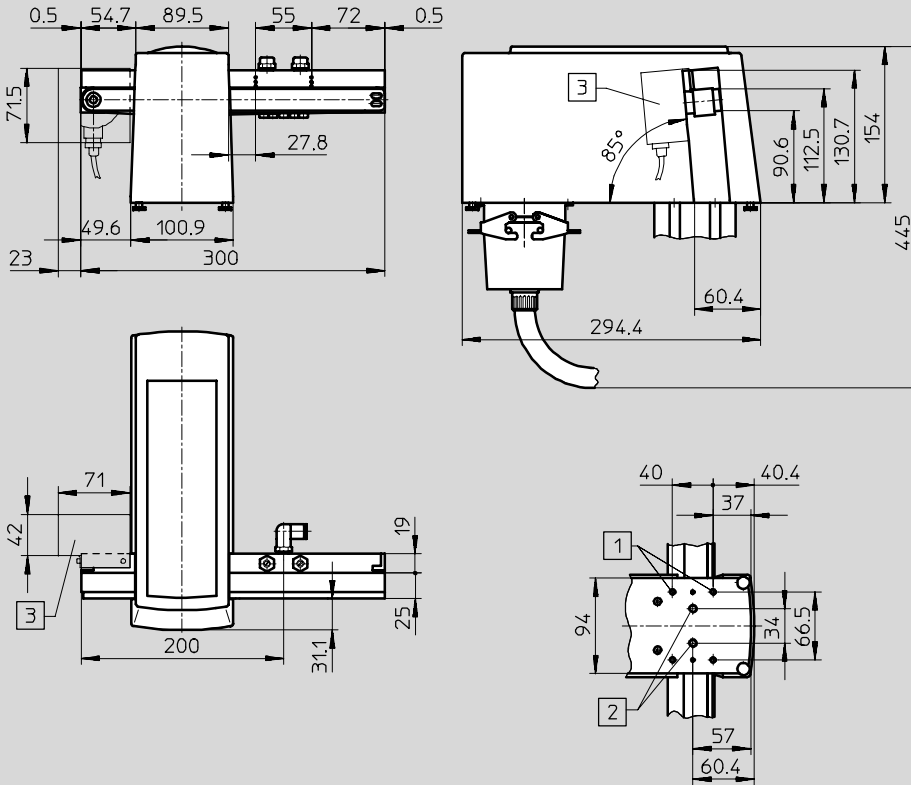
Checkbox CHB

Technical data

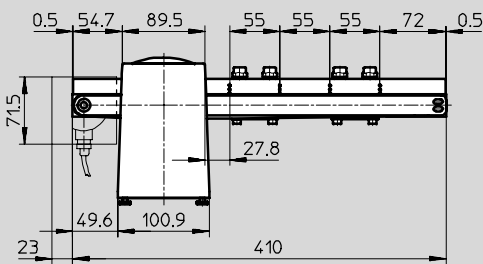
Dimensions – Conveying unit, part sizes up to \varnothing 10 mm

Download CAD data → www.festo.com/en/engineering

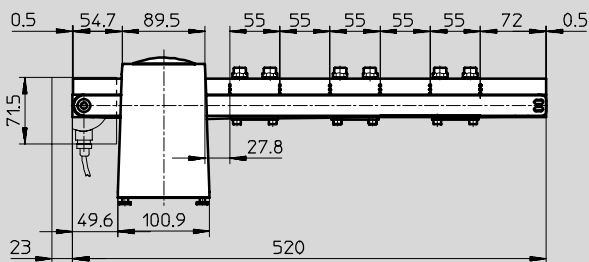
2 reject positions



4 reject positions



6 reject positions



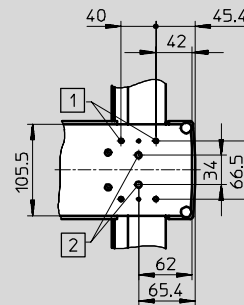
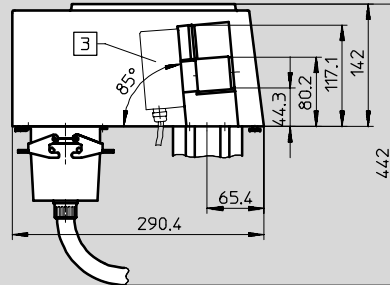
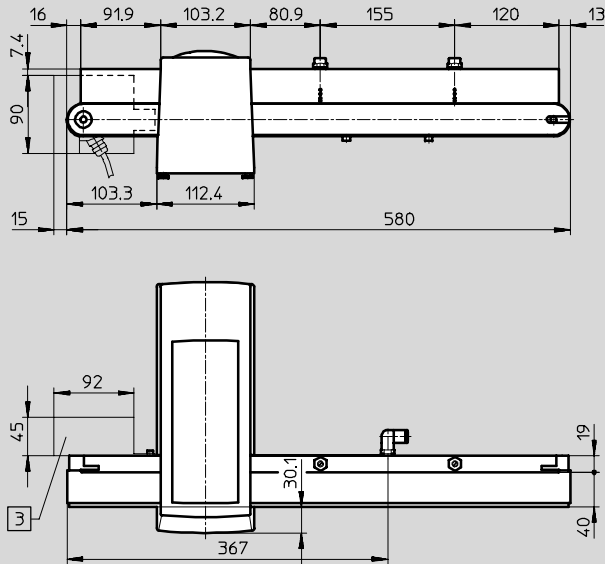
Checkbox CHB

Technical data

Dimensions – Conveying unit, part sizes up to $\varnothing 30$ mm

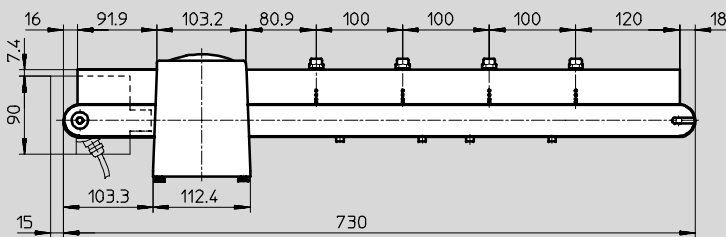
Download CAD data → www.festo.com/en/engineering

2 reject positions

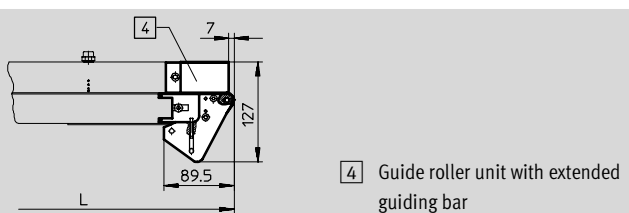
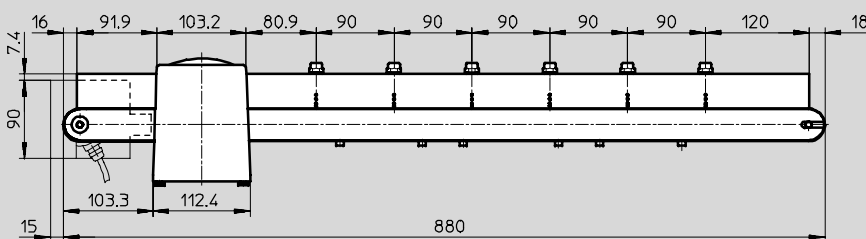


- 1 4x connecting thread M6 for 80x80 mm profile support
- 2 2x connecting thread M8 for 50x50 mm profile support
- 3 Encoder (optional)

4 reject positions



6 reject positions



Guide roller unit	
Reject positions	L
2	632
4	782
6	932

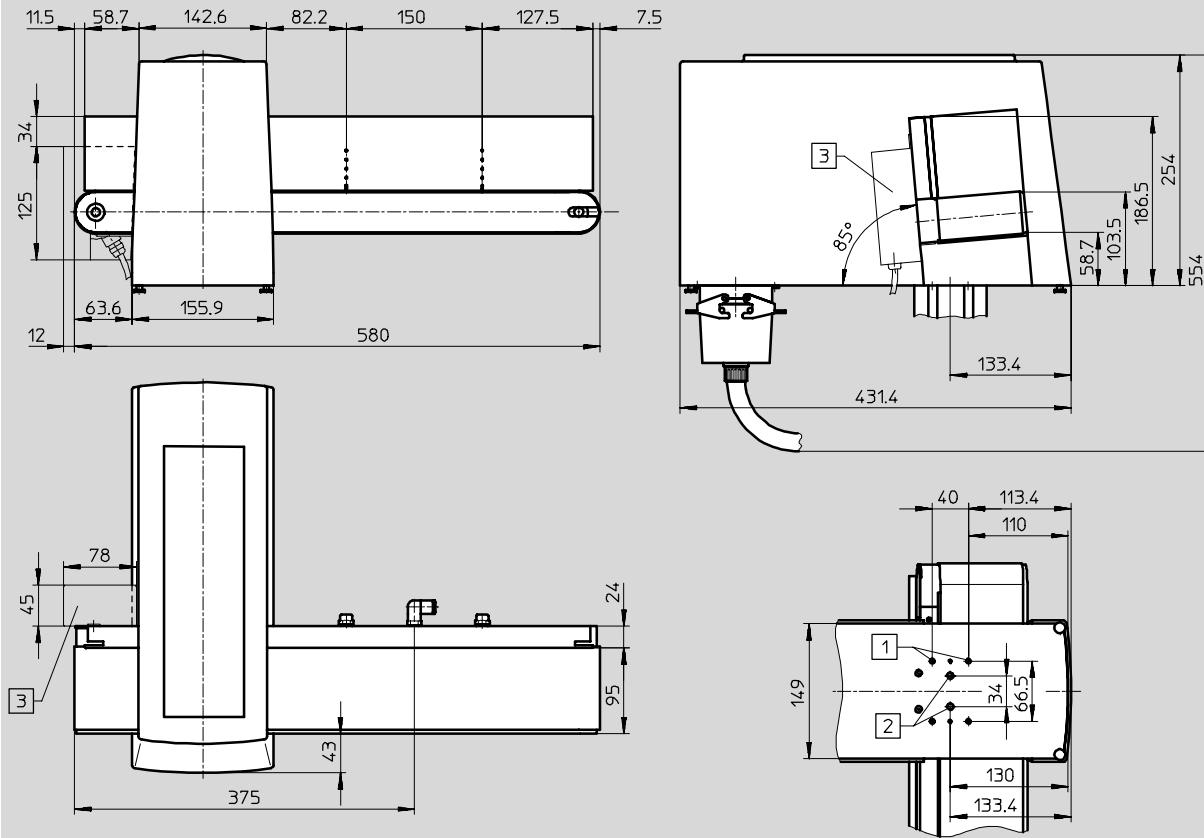
Checkbox CHB

Technical data

Dimensions – Conveying unit, part sizes up to $\varnothing 80$ mm

Download CAD data → www.festo.com/en/engineering

2 reject positions



1 4x connecting thread M6 for 80x80 mm profile support

2 2x connecting thread M8 for 50x50 mm profile support

3 Encoder (optional)

Checkbox CHB

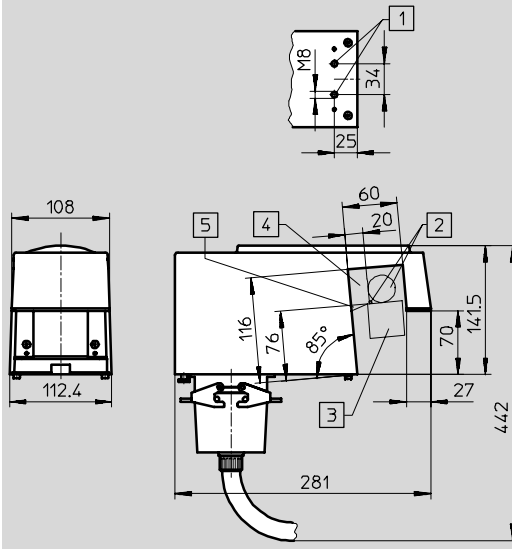
Technical data

FESTO

Dimensions – Tunnel variant, for part sizes up to $\varnothing 30$ mm

Download CAD data → www.festo.com/en/engineering

Without reject positions and conveyor belt

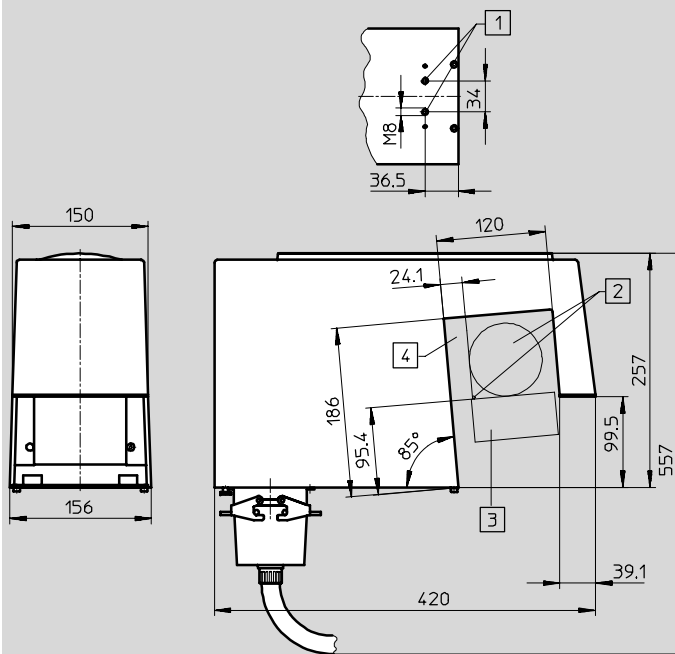


- 1 2x connecting thread M8 for 50x50 mm profile support
- 2 Part sizes $\varnothing 3 \dots \varnothing 30$ mm
- 3 Conveyor belt
- 4 Guiding bar
- 5 Provide cutout for camera light beam (approx. 5°)

Dimensions – Tunnel variant, for part sizes up to $\varnothing 80$ mm

Download CAD data → www.festo.com/en/engineering

Without reject positions and conveyor belt



- 1 2x connecting thread M8 for 50x50 mm profile support
- 2 Part sizes $\varnothing 3 \dots \varnothing 80$ mm
- 3 Conveyor belt
- 4 Guiding bar

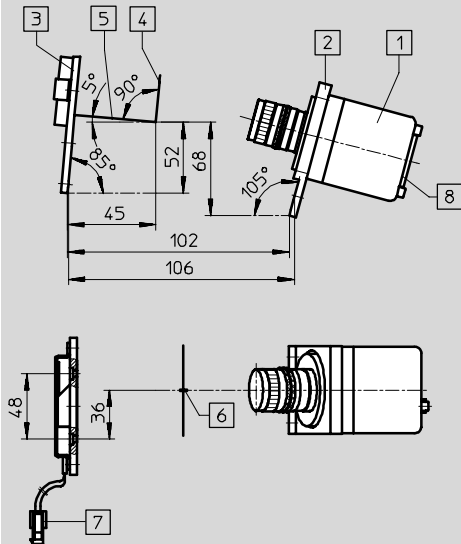
Checkbox CHB

Technical data

Dimensions – OEM variant, for part sizes up to $\varnothing 30$ mm

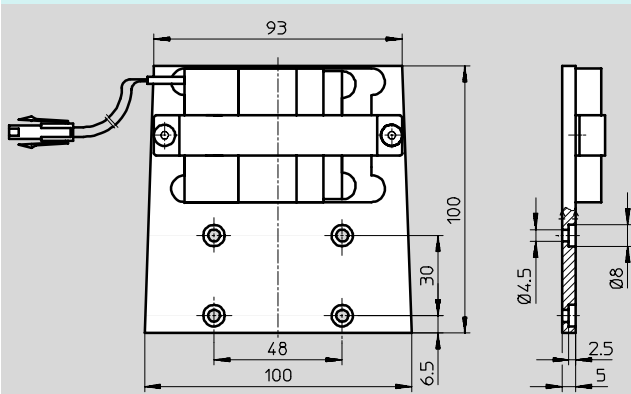
Download CAD data → www.festo.com/en/engineering

Without reject positions, conveyor belt and housing

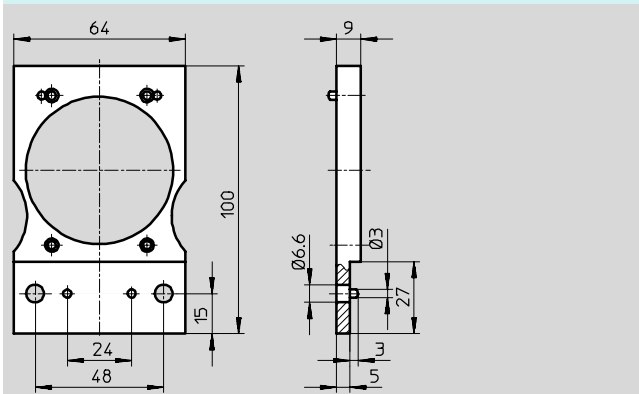


- 1 Camera with adapter, lens and extension tube
- 2 Camera bracket
- 3 Lighting bracket
- 4 Guiding bar for part guide
- 5 Parts conveyor
- 6 Viewing slot, 1 mm wide
- 7 Connection for light
- 8 Connection for camera

Lighting bracket



Camera bracket



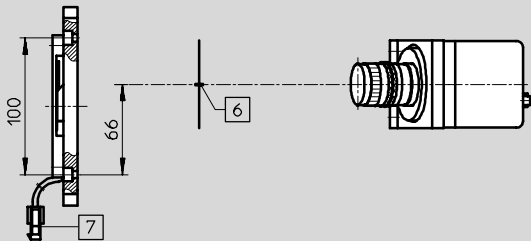
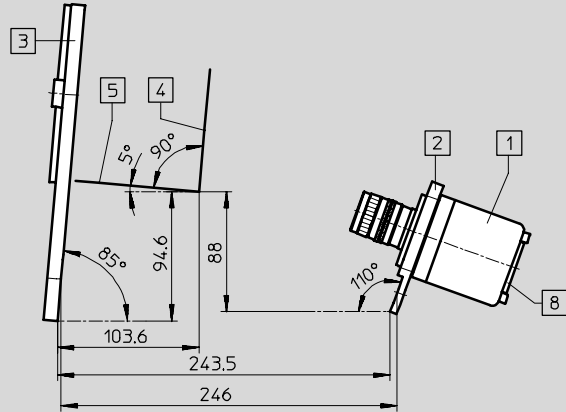
Checkbox CHB

Technical data

Dimensions – OEM variant, for part sizes up to $\varnothing 80$ mm

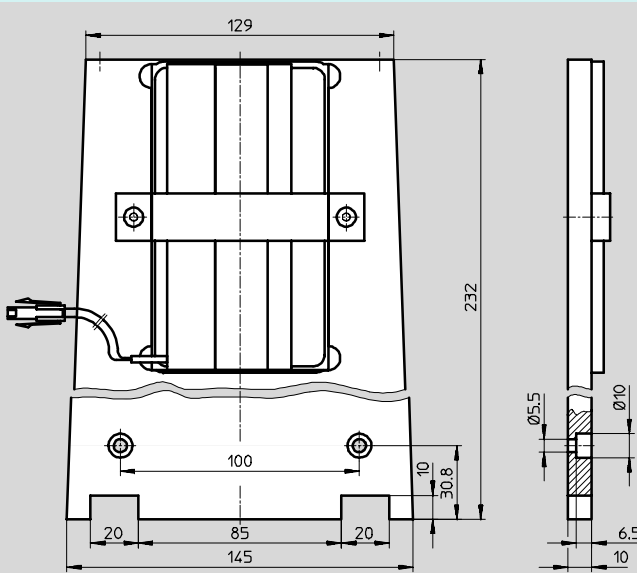
Download CAD data → www.festo.com/en/engineering

Without reject positions, conveyor belt and housing

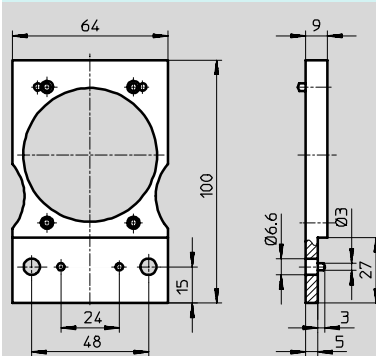


- 1** Camera with adapter, lens and extension tube
- 2** Camera bracket
- 3** Lighting bracket
- 4** Guiding bar for part guide
- 5** Parts conveyor
- 6** Viewing slot, 1 mm wide
- 7** Connection for light
- 8** Connection for camera

Lighting bracket



Camera bracket



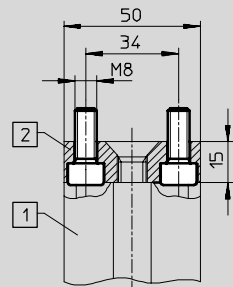
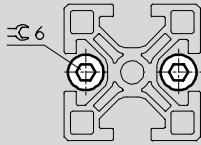
Checkbox CHB

Accessories

Dimensions – Mounting options

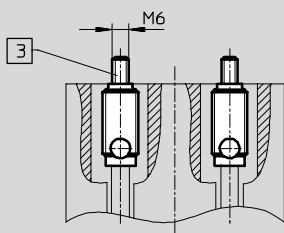
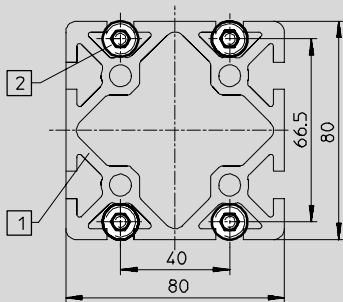
Download CAD data → www.festo.com/en/engineering

50x50 mm profile support



- 1 50x50 mm profile support
- 2 Profile connector HV-50 as adapter

80x80 mm profile support



- 1 80x80 mm profile support
- 2 Automatic profile connector
- 3 4 socket head screws M6x40 DIN 912